

KINVARO

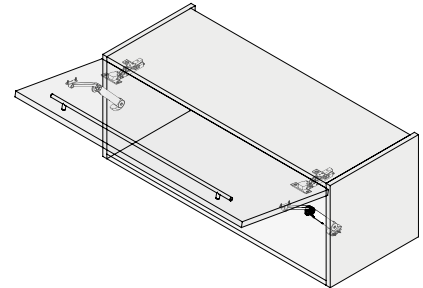
T-105 flap stay

1



- Variable opening angle, holds flaps securely from 45° to 105°
- Spring-supported opening function
- Convenient access, flap lifts clear of the work area
- Suitable for wooden doors and aluminium frames with glass infill
- Allows additional cabinet installation above
- Maintenance-free, no readjustment required
- High-quality zinc diecasting, nickel-plated
- Range of flaps: width: up to 1200 mm, height: 300 – 500 mm

- **Note:** Tiomos 120° hinges with spring, without damper, and Tiomos mounting plates for top panel need to be ordered separately.

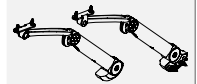


APPLICATION RANGE

Flap height	Number of flap stay	Flap weight incl. handle (kg)	
		Spring, standard	Spring, black
300	1	1.6 – 4.3	2.8 – 5.2
	2	3.2 – 8.6	5.5 – 10.4
350	1	1.3 – 4.1	2.4 – 4.8
	2	2.6 – 8.1	4.8 – 9.5
400	1	1.3 – 3.4	2.2 – 4.0
	2	2.6 – 6.8	4.3 – 8.1
450	1	1.2 – 3.0	1.9 – 3.8
	2	2.4 – 6.1	3.8 – 7.4
500	1	1.1 – 2.9	1.7 – 3.5
	2	2.2 – 5.8	3.3 – 6.7

ORDER INFORMATION

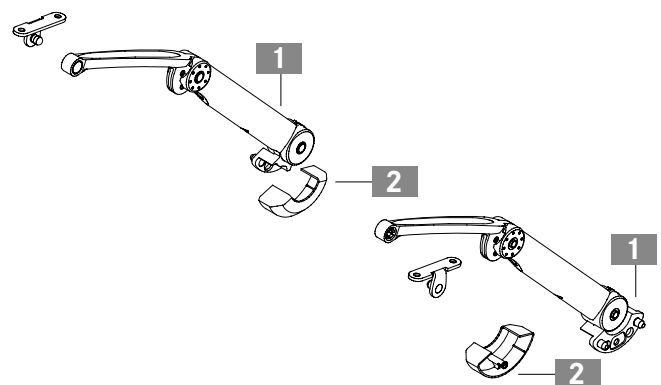
Kinvaro T-105 set



Designation	Springs	Version for	Overlay	Left	Right
Kinvaro T-105 right, adjustable standard springs, incl. black cover cap	standard	wood	variable	F151145220	F151145221
	black			F151145218	F151145219
	standard	aluminium	14	F151145214	F151145215
			16	F151145216	F151145217

Kinvaro T-105 set comprises:

- 1 Fitting, right or left (1x)
- 2 Cover caps, right or left, in black (1x)
Paper template (1x)
Installation instructions (1x)

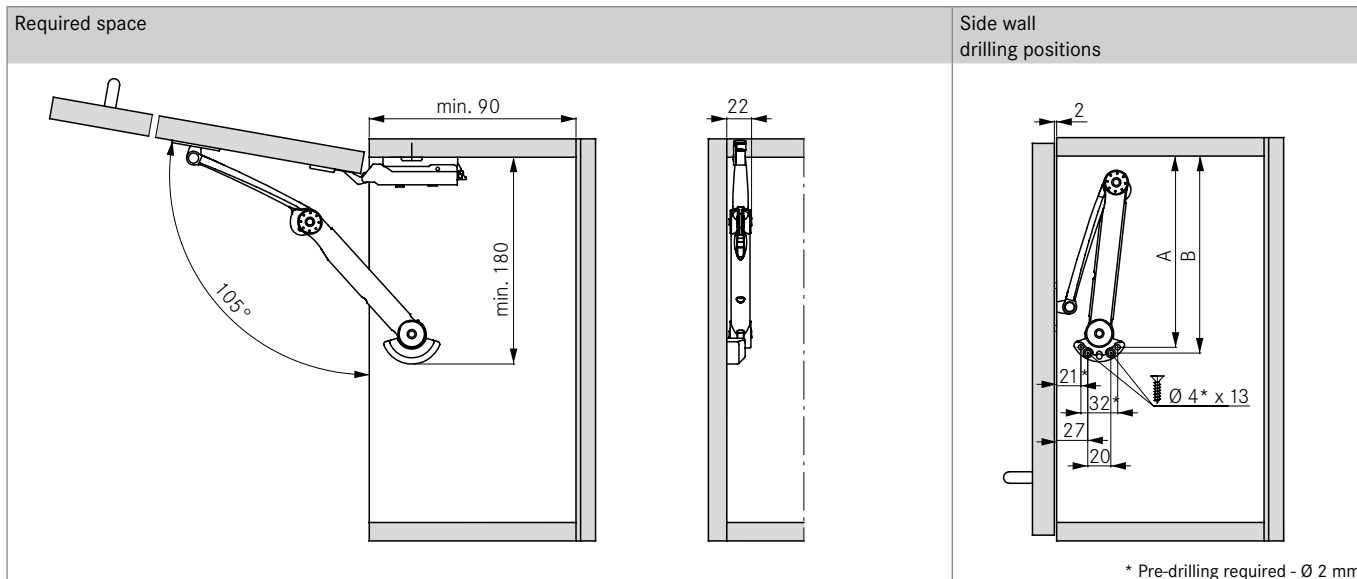


Tiomos 120° hinges	90
Tiomos mounting plates	144

Installation technology	757
Kinvaro T-105 adjustment options	78

ASSEMBLY AND INSTALLATION INSTRUCTIONS

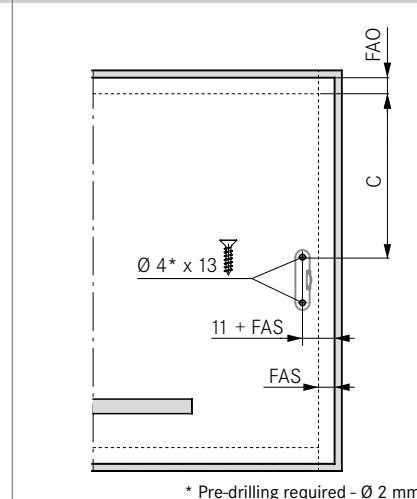
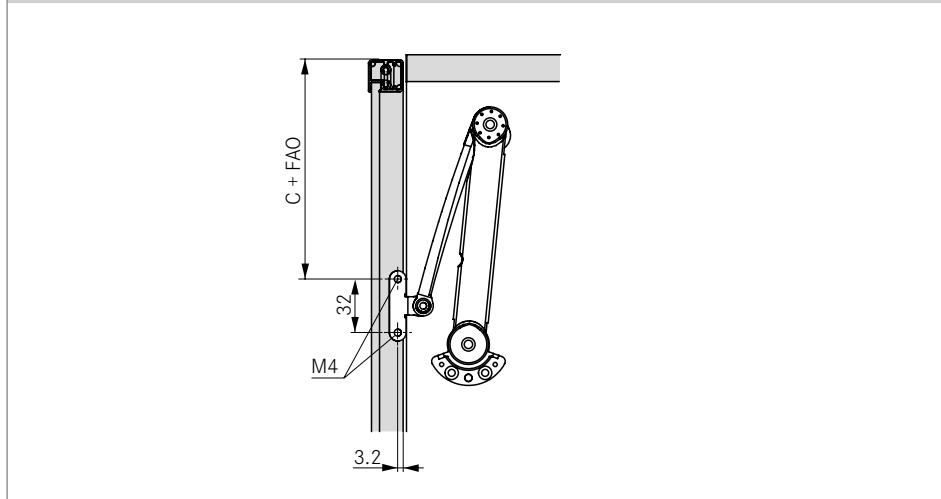
All dimensions in millimetres



* Pre-drilling required - Ø 2 mm

Front:
installation for flaps with standard aluminium frame profiles (19 mm)

Front: installation for wooden and frame flaps
(min. 45 mm width)



* Pre-drilling required - Ø 2 mm

Opening angle	A	B	C
95°	169 + MH	174 + MH	118 + MH
≥ 105°	164 + MH	169 + MH	113 + MH

Minimum reveal and protrusion depend on the hinge used.
For suitable hinges please refer to the Hinge Systems section.

The installation dimensions apply to hinges with 0 cranking and the respective mounting plate height.
The opening angle can vary between 95° and 105° (approx.), depending on type of hinge and application method.

Where cup hinges with different opening angles are used in a combination of wooden flaps and aluminium frame flaps, the smaller opening angle of the hinges used determines the installation dimensions for **both** flaps.

Calculation of flap weight

Flap width x flap height x flap thickness x density ¹ + weight of handle ² = weight of flap

¹ Densities: MDF 0.85 kg/dm³, chipboard 0.65 kg/dm³, spruce/pine 0.45 kg/dm³

² For bar handles, allow 0.1 kg for each 100 mm handle width. We recommend a trial fitting

LEGEND

- A Fixing dimension, side wall
- B Fixing dimension, side wall
- C Fixing dimension, front
- FAO Front overlay, top
- FAS Front overlay, side
- MH Mounting plate height