

KINVARO

F-20 folding flap fitting

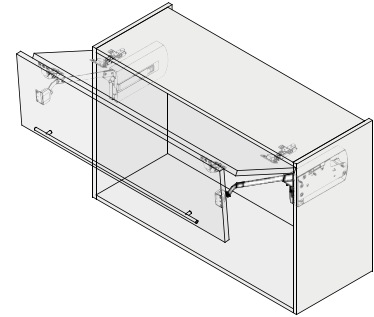
1



- For wall cabinets with split fronts
- Comfortable opening and closing of heavy flaps with spring support
- Integrated adjustable closing damper
- Opening limiter adjustable to 90°
- Wide range of applications for many different flap materials
- Weight 3.8 to 19.2 kg
- Pre-assembled Euro screws for fixing the fitting to the side wall
- Range of flaps: width: 400 – 1200 mm, height: 520 – 800 mm

Note:

With new cover cap design, as shown, available from June 2012

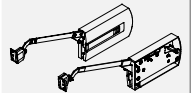


APPLICATION RANGE

Cabinet height	Guide lever	Flap weight incl. handle (kg)		
		Spring B	Spring C	Spring D
520 – 559	Type 2	4.6 – 13.8	-	-
560 – 599	Type 3	4.4 – 12.6	7.0 – 14.7	-
600 – 649	Type 4	4.1 – 12.1	6.8 – 15.8	-
650 – 699	Type 5	3.8 – 11.4	6.7 – 16.9	-
700 – 749	Type 6	-	6.5 – 16.4	10.0 – 18.0
750 – 800	Type 7	-	6.0 – 15.6	8.6 – 19.2

ORDER INFORMATION

Kinvaro F-20 set



Cabinet height	Guide lever	Spring B	Spring C	Spring D
520 – 559	Type 2	F152145237	-	-
560 – 599	Type 3	F152145238	F152145239	-
600 – 649	Type 4	F152145240	F152145241	-
650 – 699	Type 5	F152145242	F152145243	-
700 – 749	Type 6	-	F152145244	F152145245
750 – 800	Type 7	-	F152145246	F152145247

Aluminium frame adapter, Kinvaro F-20 set



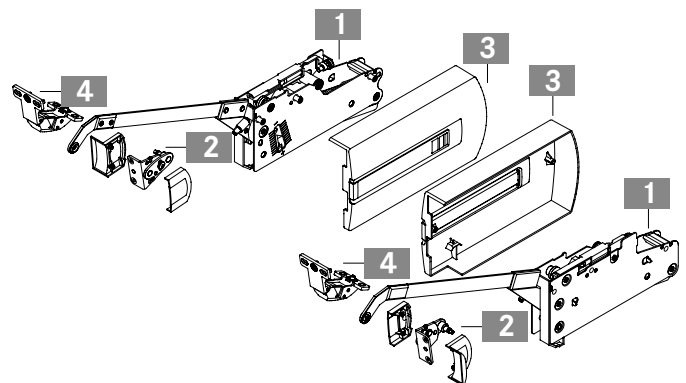
Designation	Overlay	Item No.
Aluminium frame adapter (2x) for narrow aluminium frames (19 mm) with fixing screws (8x)	13 – 17	F152145054

Note:

Please order separately: Tiomos 120° hinges with spring, without damper, and Tiomos mounting plates for top panel.

Kinvaro F-20 set comprises:

- 1** Fitting, right and left (1x)
- 2** Screw-on bracket for wood, incl. cover caps (2x)
- 3** Cover caps, right and left, in grey RAL 7040 (1x)
- 4** Connecting hinges (2x)
- Paper template (1x)
- Installation instructions (1x)



Tiomos 120° hinges	90	Installation technology	757		
Tiomos mounting plates	144	Kinvaro F-20 adjustment options	68		

ASSEMBLY AND INSTALLATION INSTRUCTIONS

All dimensions in millimetres



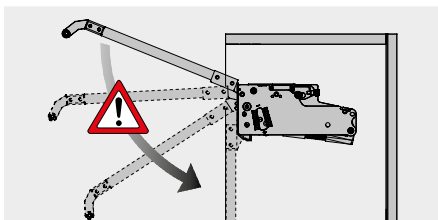
Required space	Side wall drilling positions	Side wall drilling distance		
		KH	Type	B
		520 - 529	2	173
		530 - 539	2	158
		540 - 549	2	143
		550 - 559	2	128
		560 - 569	3	183
		570 - 579	3	168
		580 - 589	3	153
		590 - 599	3	138
		600 - 609	4	208
		610 - 619	4	198
		620 - 629	4	178
		630 - 639	4	168
		640 - 649	4	158
		650 - 699	5	225
700 - 749	6	235		
750 - 800	7	250		

Front: installation for flaps with standard aluminium frame profiles (19 mm)	Front: installation for wooden and frame flaps (min. 45 mm width)	Front: drilling distance		
		KH	Type	C
<p>* Pre-drilling required - Ø 2 mm</p>	<p>* Pre-drilling required - Ø 2 mm</p>	520 - 529	2	133
		530 - 539	2	148
		540 - 549	2	163
		550 - 559	2	178
		560 - 569	3	145
		570 - 579	3	160
		580 - 589	3	175
		590 - 599	3	190
		600 - 609	4	138
		610 - 619	4	148
		620 - 629	4	168
		630 - 639	4	178
		640 - 649	4	188
		650 - 699	5	146
700 - 749	6	156		
750 - 800	7	166		

Number of hinges at top panel
From 900 mm cabinet width: 3 hinges. Hinges with spring require an opening angle of min. 120°

Calculation of flap weight
Flap width x flap height x flap thickness x density ¹ + weight of handle ² = weight of flap
¹ Densities: MDF 0.85 kg/dm³, chipboard 0.65 kg/dm³, spruce/pine 0.45 kg/dm³
² For bar handles, allow 0.1 kg for each 100 mm handle width. We recommend a trial fitting

WARNING



Important!
Caution - risk of injury!
Fitting is spring-tensioned!

LEGEND

- B Drilling dimension - side wall
- C Drilling dimension - front
- F Reveal
- FAS Front side overlay
- KH Cabinet height