

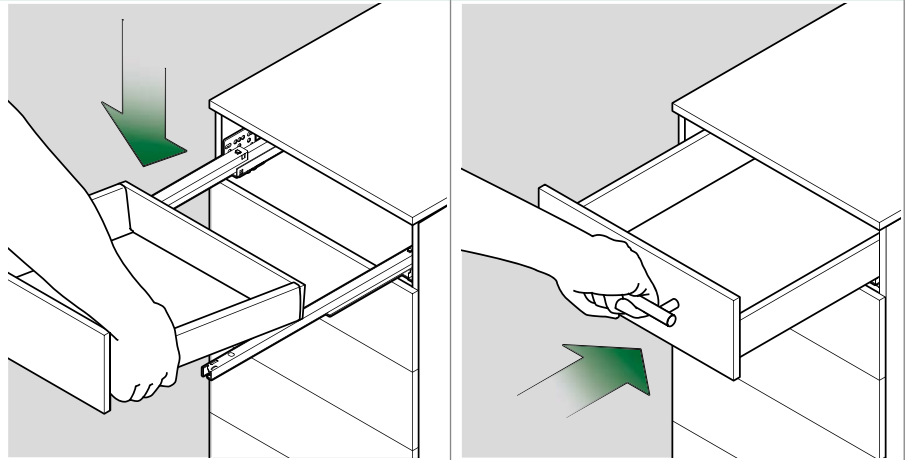
DYNAMIC NT

Technical information

INSTALLATION INFORMATION

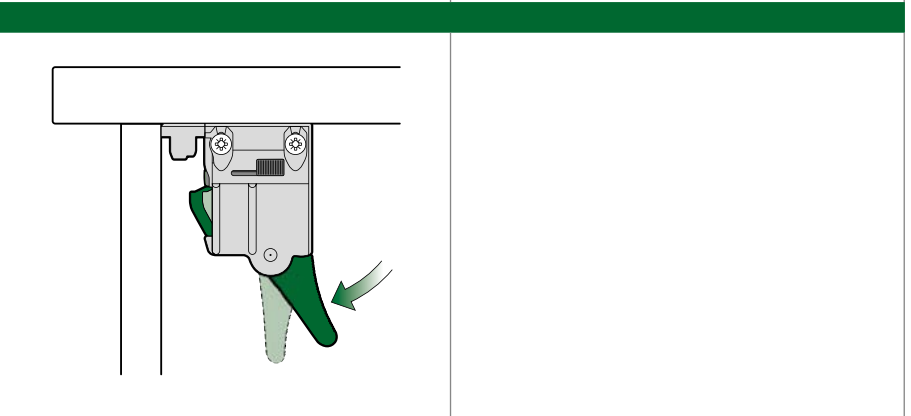
Inserting the drawer

Place the drawer on the extended Dynamic NT slides and push in until it audibly engages.



Removing the drawer

Pull the drawer out, move the lever of the locking device and lift the drawer from the slides.

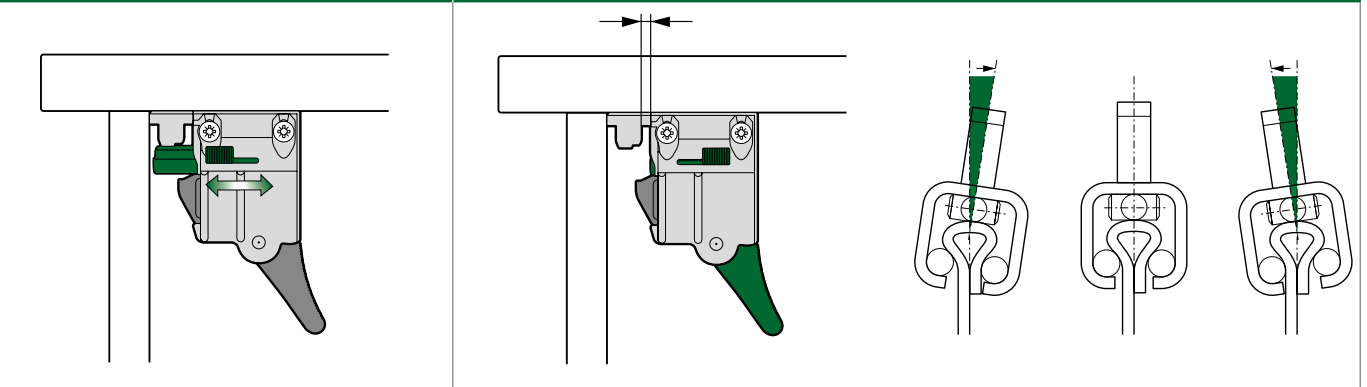


4

ADJUSTMENT

Height adjustment $+2.5$ mm

Tolerance compensation ± 1.5 mm



NOTES

Fastening the cabinet rails:

The screw recommendations are guide values only.

Assemblers must ensure that the substrate material is thick enough.