

SOFT-CLOSE CLICK-ON

For Nexis Click-on and Slide-on 95°, 100°, 110° and 125° hinges



- Tool-free installation – can also be retrofitted
- No additional drilling of the cabinet or door
- Damping levels can be individually adjusted
- Damping system to be used with hinges from the Nexis Click-on and Nexis Slide-on series

ORDER INFORMATION

2

Soft-close Click-on set	Item No.	
<p>1 set includes:</p> <ul style="list-style-type: none"> • 1 Soft-close adapter with pre-assembled Soft-close damper for Nexis Click-on and Nexis Slide-on hinges • 1 hinge cup cover cap • 2 cover caps 		<p>F069073714</p>

Soft-close adapter	Item No.	
<ul style="list-style-type: none"> • Soft-close adapter incl. pre-assembled Soft-close damper for Nexis Click-on and Nexis Slide-on hinges 		<p>F069073715</p>

COVER CAPS

	Designation	Cranking	Imprinted/Embossed	Item No.
	Hinge arm cover cap, steel, short, nickel-plated, not imprinted, Soft-close compatible	0	On request	F069073570
	Hinge arm cover cap, steel, open, nickel-plated, not imprinted, Soft-close compatible	8/15	On request	F069073669

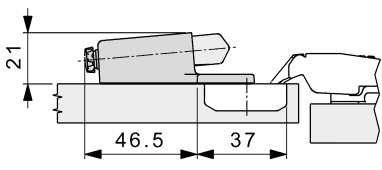
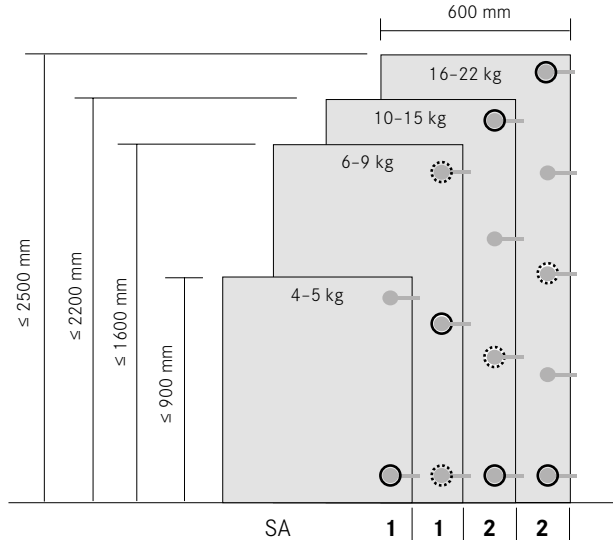
ACCESSORIES


	Designation	Item No.		Designation	Item No.
	Hinge cup cover cap, steel, nickel-plated, not imprinted	F069073687			

Nexis Click-on	206

INSTALLATION INFORMATION

All dimensions in millimetres

Dimensions	Position for Soft-close Click-on
	 <p style="text-align: center;"> Recommended position for Soft-close Click-on Position for additional Soft-close Click-on (if required) </p>

Installation	Soft-close Click-on - quick and easy to fit
<div style="display: flex; justify-content: space-around;"> <div style="text-align: center;"> <p>1</p>  </div> <div style="text-align: center;"> <p>2</p>  </div> <div style="text-align: center;"> <p>3</p>  </div> </div> <div style="display: flex; justify-content: space-around; margin-top: 10px;"> <div style="text-align: center;"> <p>4</p>  </div> <div style="text-align: center;"> <p>5</p>  </div> <div style="text-align: center;"> <p>6</p>  </div> </div> <div style="text-align: center; margin-top: 20px;">  </div>	<p>Soft-close Click-on - quick and easy to fit</p> <ol style="list-style-type: none"> 1 Hinges with 0 cranking: remove hinge arm cover cap (if fitted). 2 Insert Soft-close Click-on adapter, engaging the two small hooks at a slight angle in the recesses underneath the hinge cup. 3 Press down both sides of the adapter simultaneously, until it engages with an audible click. 4 If required, fit short hinge arm cover cap (supplied with the set). 5 If required, the adjustment screw can be used to finely adjust the Soft-close Click-on to different opening angles and cranking. 6 The cover cap (supplied with the set) for hinges without Soft-close Click-on or Slide-on is used to ensure a uniform appearance. <p>NOTES</p> <p>When fitting Grass furniture hardware, the installation instructions supplied with the applicable sales literature must be observed in detail, otherwise the company cannot accept liability.</p> <p>If you require further information relating to installation and assembly, please contact one of our factories directly.</p> <p>We thank you for your understanding.</p>

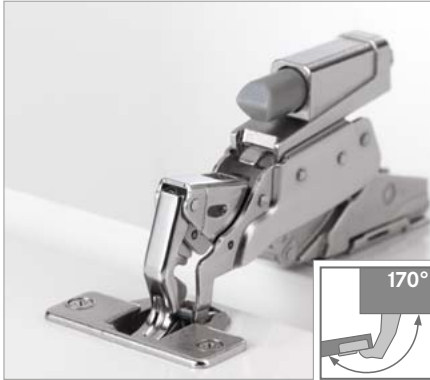
LEGEND

SA	Number of hinges	
----	------------------	--



170° SOFT-CLOSE

For Nexis wide-angle hinges 170°



- For Nexis Impresso, Nexis Click-on and Nexis Slide-on 170° wide-angle hinges
- Tool-free installation – can also be retrofitted
- No additional drilling of the cabinet or door
- Damping levels can be individually adjusted

ORDER INFORMATION

2

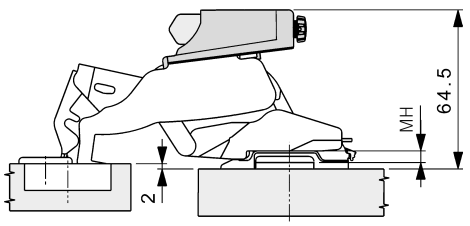
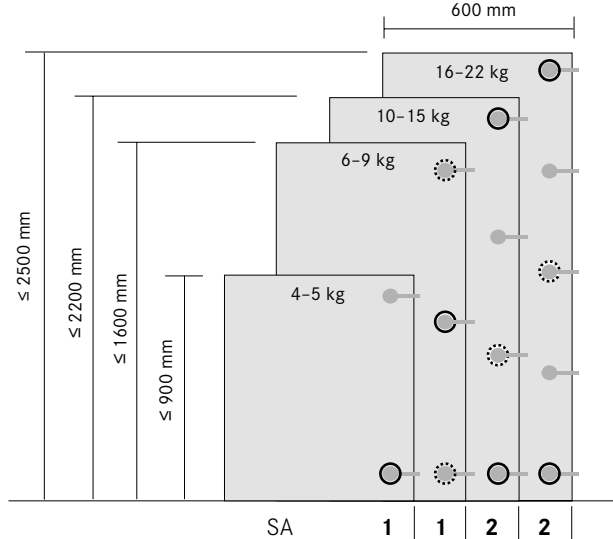
170° Soft-close		Item No.
<ul style="list-style-type: none"> • Soft-close adapter for Nexis Impresso, Nexis Click-on and Nexis Slide-on 170° wide-angle hinge with pre-assembled Soft-close damper 		<p>F069073729</p>

Nexis Impresso	162
Nexis Click-on	206



Nexis Slide-on	270

INSTALLATION INFORMATION

All dimensions in millimetres

Dimensions	Position for 170° Soft-close
 <p style="text-align: center; margin-top: 10px;">Drawing with mounting plate height 2</p>	 <p style="text-align: center; margin-top: 10px;">SA 1 1 2 2</p> <p style="text-align: right; margin-top: 10px;"> Recommended position for Soft-close 170° Position for additional Soft-close 170° (if required) </p>



Installation	170° Soft-close - quick and easy to fit
<div style="display: flex; justify-content: space-around;"> <div style="text-align: center;"> <p>1</p>  </div> <div style="text-align: center;"> <p>2</p>  </div> </div>	<ol style="list-style-type: none"> 1 Insert 170° Soft-close adapter, engaging the two small hooks at a slight angle in the recesses underneath the hinge arm. 2 Press down adapter until it engages with an audible click. <p style="margin-top: 20px;">NOTES</p> <p>When fitting Grass furniture hardware, the installation instructions supplied with the applicable sales literature must be observed in detail, otherwise the company cannot accept liability.</p> <p>If you require further information relating to installation and assembly, please contact one of our factories directly.</p> <p>We thank you for your understanding.</p>

LEGEND

MH	Mounting plate height
SA	Number of hinges